

Wastewater

WSV52H Series



WSV52HM



WSV52HAM

Applications

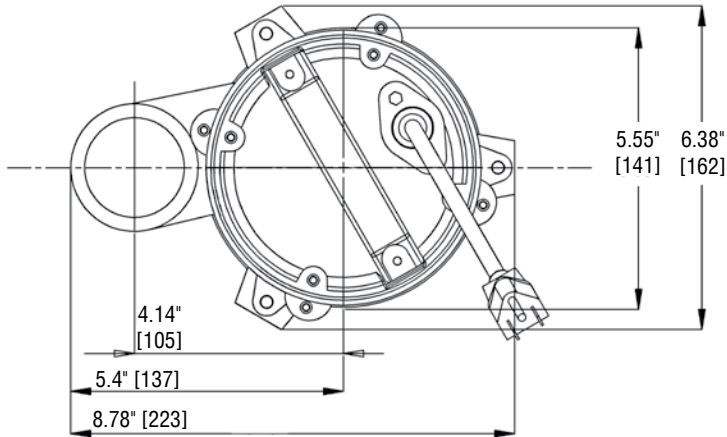
- Ideal for handling raw sewage as well as commercial dewatering sump applications with up to 2" solids.

Features

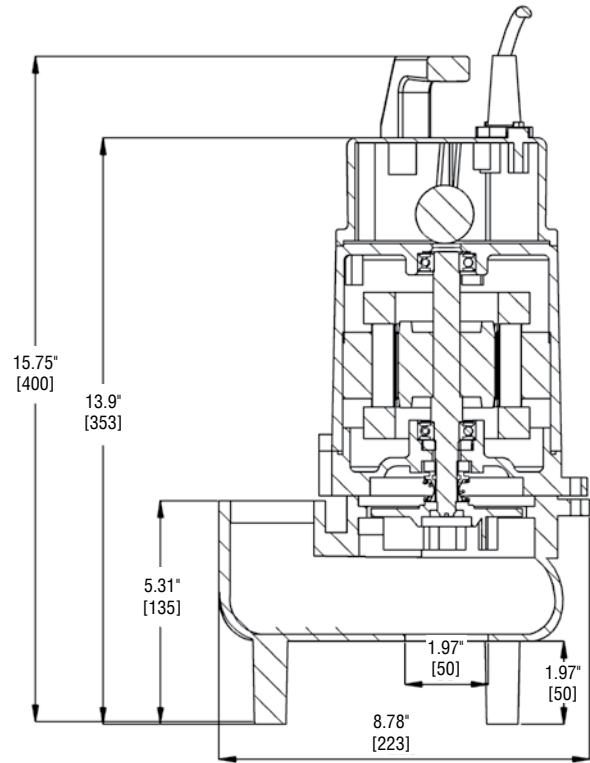
- 1/2 hp powerful 115 Volt, oil free PSC motor. Rated for continuous duty, with thermal overload protection and double ball bearings for reliability
- 300 Series stainless steel shaft for corrosion resistance
- Motor housing, pump volute and impeller are cast iron
- 2" NPT discharge
- A high capacity cast iron vortex impeller, designed for superior solids handling capabilities. This impeller is able to pass 2" solids by creating a vortex. This provides superior clog free operation
- Carbon ceramic mechanical seal
- 300 Series stainless fasteners throughout, for serviceability
- Mechanical piggyback float switch for automatic on-off operation
- 20' power cord sealed at motor housing



Engineering Data



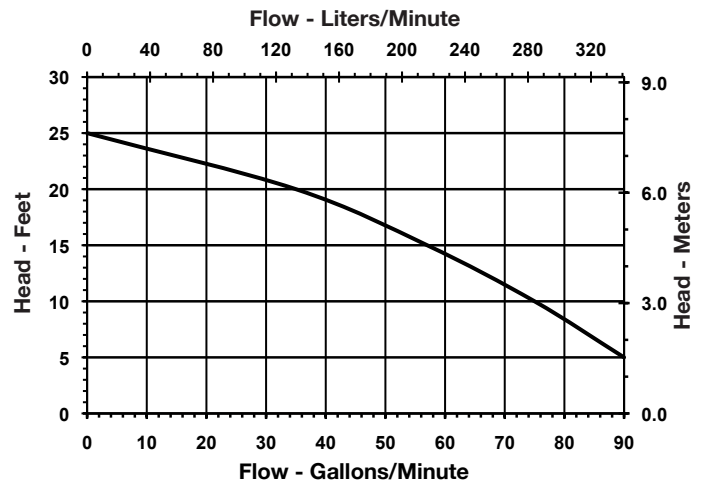
Dimensions measured in inches [mm]



Specifications

Item No.	Model No.	Listing	HP	Volts	Discharge	Performance (gpm @ head)				Shut-Off Head (ft)	Cord Length (ft)	Ship Wt. (lbs)
						5'	10'	15'	20'			
620235	WSV52HM	cCSAus	1/2	115	2" NPT	90	75	57	35	25	20	36
620236	WSV52HAM	cCSAus	1/2	115	2" NPT	90	75	57	35	25	20	38

Performance Data



P.O. Box 12010
 Oklahoma City, OK 73157-2010
 Phone: 1.800.701.7894
 Fax: 1.800.678.7867
 www.LittleGiantPump.com



©2011 Franklin Electric Co., Inc.
 Little Giant® is a registered trademark of Franklin Electric Co., Inc.
 Form 996174 — 05/11